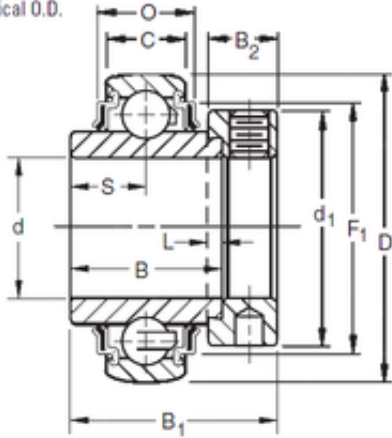




Reusable Oil Filters INC

KRRB Two Seals
Spherical O.D.



Bearing 2D drawings and 3D CAD models

(Case of 1) P165876 Donaldson Hydraulic Filter
Spin On PALL HC7500SUS8H

Bearing No.

Size	57.15x110x61.91 mm
Bore Diameter	57,15 mm
Outer Diameter	110 mm
Width	61,91 mm
d	57,15 mm
D	110 mm
B	61,91 mm
C	22 mm
P	26,01 mm
O	30,02 mm
d ₁	84,1 mm
B ₁	77,8 mm
B ₂	22,2 mm
L	6,4 mm
S	31 mm
F ₁	94,89 mm
Weight	1,715 Kg
Basic dynamic load rating (C)	58,5 kN